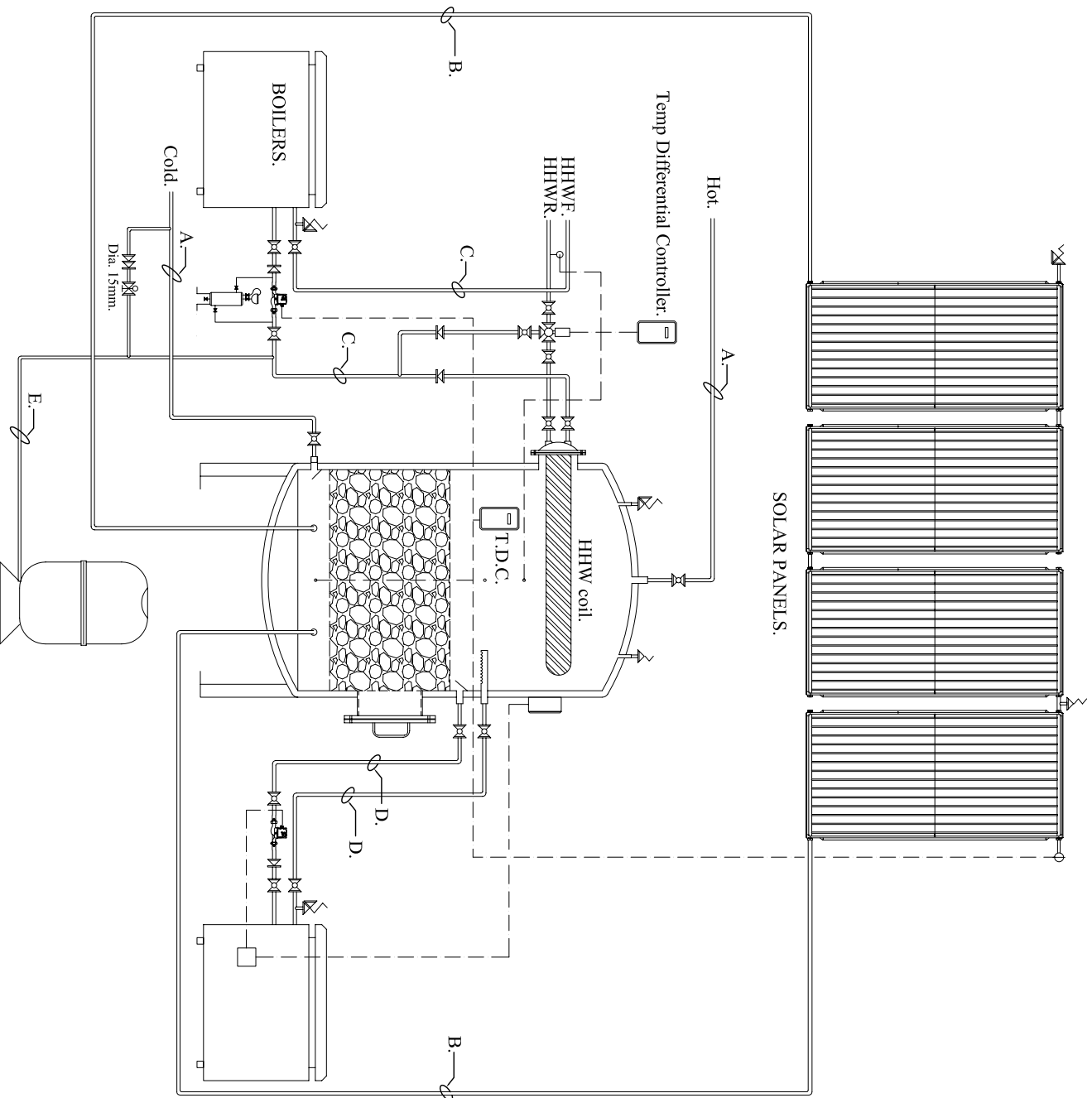


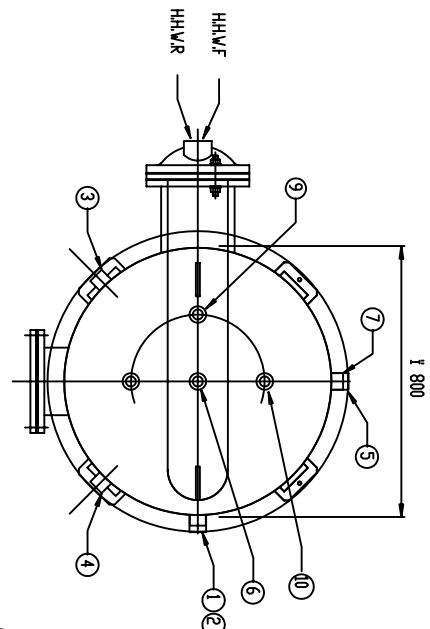
Pipe Diameters:

Precinct 1.	A - 50mm B - 40mm C - 32mm D - 50mm E - 20mm
Precinct 11.	A - 40mm B - 25mm C - 32mm D - 40mm E - 20mm
Precinct 3.	A - 25mm B - 25mm C - 20mm D - 25mm E - 20mm
Precinct 4.	A - 25mm B - 20mm C - 20mm D - 25mm E - 20mm



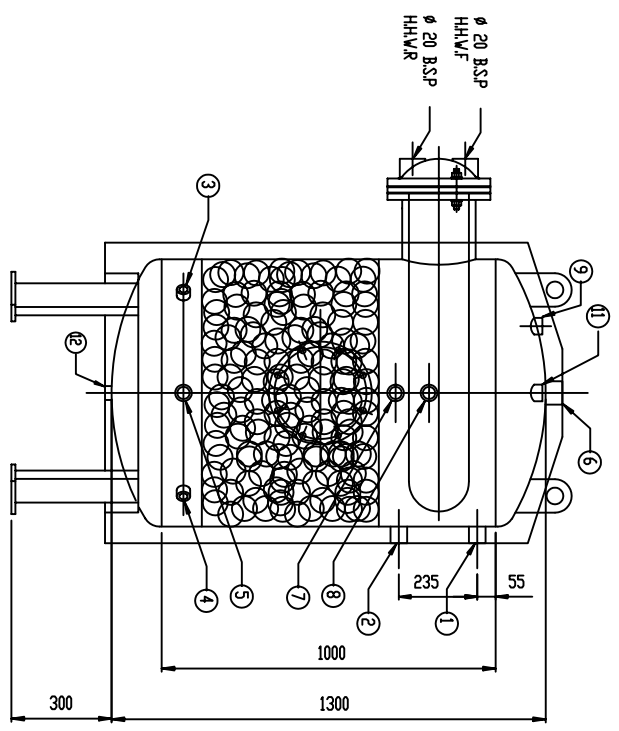
LEGEND.

- ⊗ Gate Valve.
- ⊕ RPZD/Dual Check.
- ⊖ Ball Valve.
- ⊗ Pressure relief valve.
- ⊗ Automatic Air-Vent.
- ⊗ Check Valve / Non-Return.
- ⊗ Balancing Valve.
- ⊗ Automatic Filling Valve.
- ⊗ Gas Valve.



PRELIMINARY

SERIAL No. _____



- ITEM No.
1. PRIM. FLOW
 2. PRIM. RETURN
 3. SOLAR FLOW
 4. SOLAR RETURN
 5. COLD FEED
 6. DHW FLOW
 7. DHW RETURN
 8. THERMOSTAT
 9. THERMOMETER
 10. VAC. BREAKER
 11. PRESS. RELIEF
 12. DRAIN

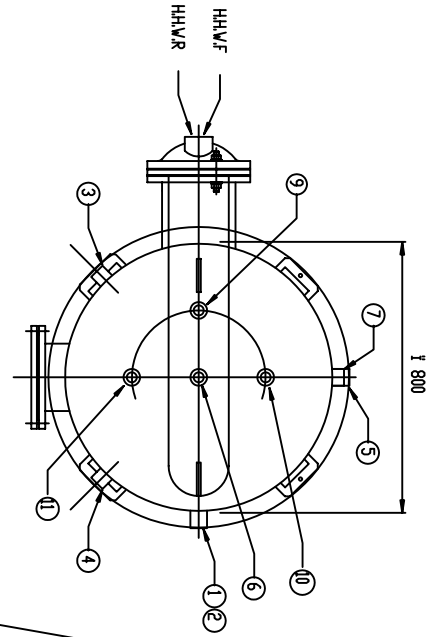
- $\phi 25$ BSP SOCKET
- $\phi 25$ BSP SOCKET
- $\phi 20$ BSP SOCKET
- $\phi 20$ BSP SOCKET
- $\phi 20$ BSP SOCKET
- $\phi 25$ BSP SOCKET
- $\phi 25$ BSP SOCKET
- $\phi 20$ BSP SOCKET
- $\phi 25$ BSP SOCKET
- $\phi 20$ BSP SOCKET
- $\phi 25$ BSP SOCKET
- $\phi 25$ BSP SOCKET

MATERIALS:

SHELL: 40mm S/STEEL 2205
 ENDS: 40mm S/STEEL 2205
 TUBE: COPPER $\phi 20 \times 1.6$ WALL (2.80m?)
 TUBE PLATE: BRONZE
 BONNET: BRONZE

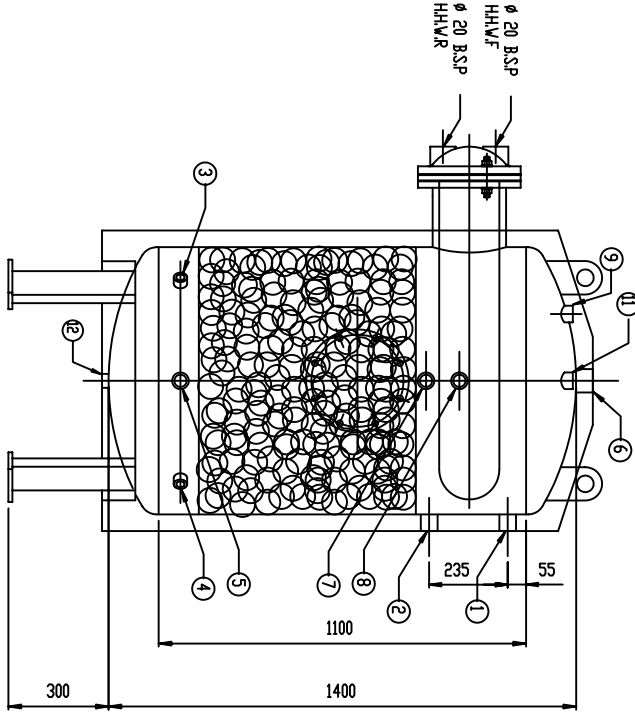
	SHELL	TUBES
DESIGN PRESSURE	1000 kPa	800 kPa
TEST PRESSURE	1500 kPa	1200 kPa
DESIGN TEMPERATURE	100°C	175°C
RATING	30 kW	

No.	Date	Revision	By	Reference Drawings	Project: COMMONWEALTH GAMES	TOTAL WATER MANAGEMENT			
					Engineers:	144 COLCHESTER RD. BAYSWATER Nth. VIC 3153			
					Client:	PHONE: 9761 7200 - FAX: 9761 6960			
					Scale: 1:12	500 ltr VERTICAL CALORIFIER			
					Date: 21/4/05	Drawn: MG	DRG No. 1COMGAM4	Rev.	A3



PRELIMINARY

SERIAL No. _____



- ITEM No.
1. PRIM. FLOW
 2. PRIM. RETURN
 3. SOLAR FLOW
 4. SOLAR RETURN
 5. COLD FEED
 6. DHW FLOW
 7. DHW RETURN
 8. THERMOSTAT
 9. THERMOMETER
 10. VAC. BREAKER
 11. PRESS RELIEF
 12. DRAIN

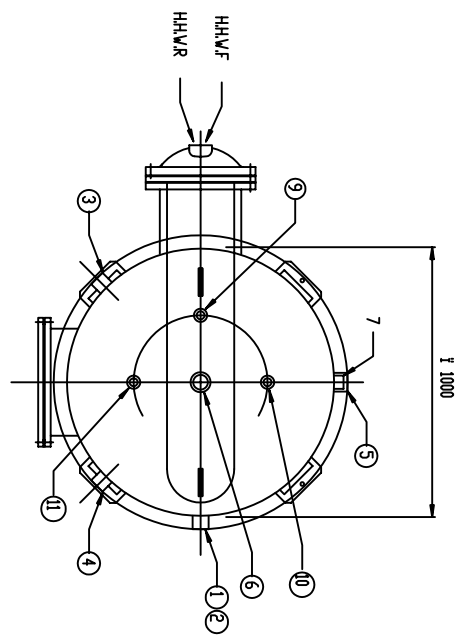
- Ø 25 B.S.P. SOCKET
- Ø 25 B.S.P. SOCKET
- Ø 25 B.S.P. SOCKET
- Ø 25 B.S.P. SOCKET
- Ø 25 B.S.P. SOCKET
- Ø 25 B.S.P. SOCKET
- Ø 25 B.S.P. SOCKET
- Ø 25 B.S.P. SOCKET
- Ø 25 B.S.P. SOCKET
- Ø 25 B.S.P. SOCKET
- Ø 25 B.S.P. SOCKET
- Ø 25 B.S.P. SOCKET

MATERIALS:

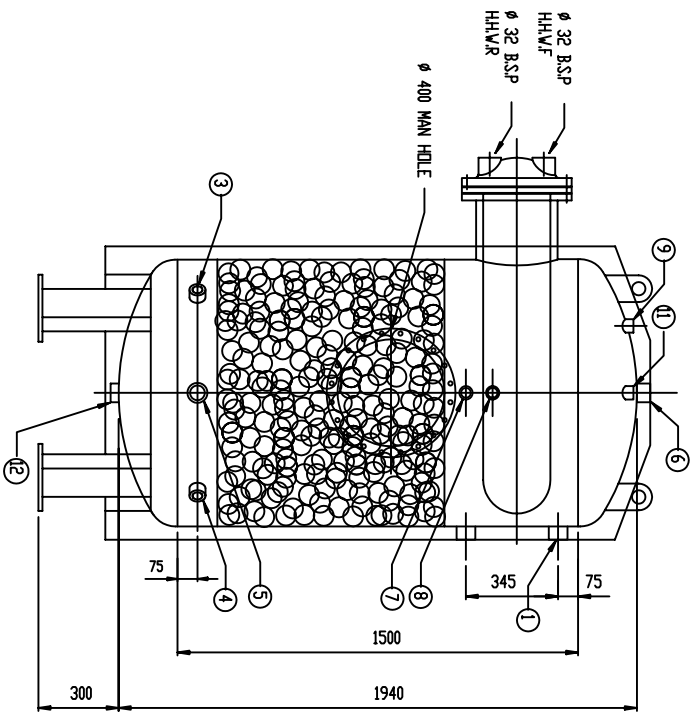
SHELL: 40mm S/STEEL 2205
 ENDS: 40mm S/STEEL 2205
 TUBE: COPPER Ø 20x1.6 WALL. (2.80m?)
 TUBE PLATE: BRONZE
 BONNET: BRONZE

	SHELL	TUBES
DESIGN PRESSURE	1000 kPa	800 kPa
TEST PRESSURE	1500 kPa	1200 kPa
DESIGN TEMPERATURE	100°C	175°C
RATING:	30 kW	

No.	Date	Revision	By	Reference Drawings	1CDMGAM3		Project: COMMONWEALTH GAMES		TOTAL WATER MANAGEMENT		
							Engineers:		144 COLCHESTER RD. BAYSWATER Nth. VIC 3153		
							Client:		PHONE: 9761 7200 - FAX: 9761 6960		
							Scale: 1:12		600 ltr VERTICAL CALORIFIER		
							Date: 21/4/05	Drawn: MG	DRG No. 1CDMGAM3	Rev.	A3



PRELIMINARY



- ITEM No.
1. PRIM. FLOW
 2. PRIM. RETURN
 3. SOLAR FLOW
 4. SOLAR RETURN
 5. COLD FEED
 6. DHW FLOW
 7. DHW RETURN
 8. THERMOSTAT
 9. THERMOMETER
 10. VAC. BREAKER
 11. PRESS RELIEF
 12. DRAIN

- Ø 40 B.S.P SOCKET
- Ø 40 B.S.P SOCKET
- Ø 25 B.S.P SOCKET
- Ø 25 B.S.P SOCKET
- Ø 40 B.S.P SOCKET
- Ø 40 B.S.P SOCKET
- Ø 25 B.S.P SOCKET
- Ø 25 B.S.P SOCKET
- Ø 20 B.S.P SOCKET
- Ø 25 B.S.P SOCKET
- Ø 25 B.S.P SOCKET
- Ø 25 B.S.P SOCKET

MATERIALS:

SHELL: 40mm STAINLESS STEEL 2205
 ENDS: 40mm STAINLESS STEEL 2205
 TUBE: COPPER Ø 20x1.6 WALL. (7.50mm)
 BINNETT: BRONZE

	SHELL	TUBES
DESIGN PRESSURE	700 kPa	800 kPa
TEST PRESSURE	1050 kPa	1200 kPa
DESIGN TEMPERATURE	90°C	175°C
RATING:	85 kW	

DESIGNED, CONSTRUCTED & TESTED TO THE REQUIREMENTS OF AS1210-1997 CLASS 3.

SERIAL No. _____

No.	Date	Revision	By	Reference Drawings	Project: COMMONWEALTH GAMES		TOTAL WATER MANAGEMENT		
					Engineers:		144 COLCHESTER RD. BAYSWATER Nth VIC 3153		
					Client:		PHONE: 9761 7200 - FAX: 9761 6960		
					Scale: 1:15		1200 LITRE VERTICAL CALORIFIER		
					Date: 21/4/05	Drawn: MG	DRG No. 1COMGAM2	Rev.	A3

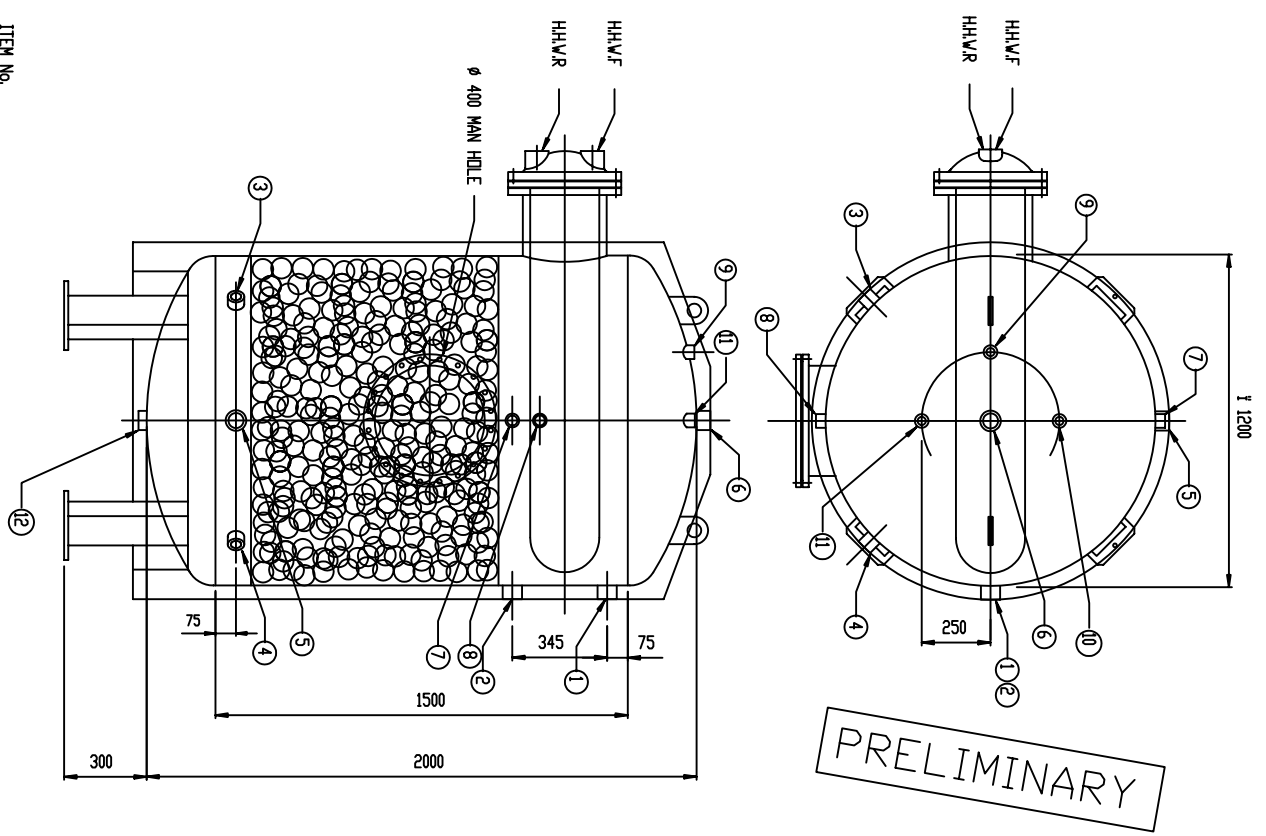
- ITEM No.
1. PRIM. FLOW
 2. PRIM. RETURN
 3. SOLAR FLOW
 4. SOLAR RETURN
 5. COLD FEED
 6. DHW FLOW
 7. DHW RETURN
 8. THERMOSTAT
 9. THERMISTAT
 10. VAC. BREAKER
 11. PRESS RELIEF
 12. DRAIN

- Ø 50 B.S.P
- Ø 50 B.S.P
- Ø 40 B.S.P SOCKET
- Ø 40 B.S.P SOCKET
- Ø 50 B.S.P SOCKET
- Ø 50 B.S.P SOCKET
- Ø 25 B.S.P SOCKET
- Ø 25 B.S.P SOCKET
- Ø 20 B.S.P SOCKET
- Ø 25 B.S.P SOCKET
- Ø 25 B.S.P SOCKET
- Ø 25 B.S.P SOCKET

MATERIALS:

SHELL: 4.0mm STAINLESS STEEL 2205
 ENDS: 4.0mm STAINLESS STEEL 2205
 TUBE: COPPER Ø 20x1.6 WALL (9.30m)
 BONNET: BRONZE

	SHELL	TUBES
DESIGN PRESSURE	700 kPa	800 kPa
TEST PRESSURE	1050 kPa	1200 kPa
DESIGN TEMPERATURE	90°C	175°C
RATING	105 kW	



DESIGNED, CONSTRUCTED & TESTED TO THE REQUIREMENTS OF AS1210-1997 CLASS 3.

SERIAL No. _____

No.	Date	Revision	By	Reference Drawings	Project: COMMONWEALTH GAMES		TOTAL WATER MANAGEMENT	
					Engineers:		144 COLCHESTER RD, BAYSWATER Nth VIC 3153	
					Client:		PHONE: 9761 7200 - FAX: 9761 6960	
					Scale: 1:15		2000 LITRE VERTICAL CALORIFIER	
					Date: 21/4/05	Drawn: MG	DRG No. 1COMGAM1	Rev. A3